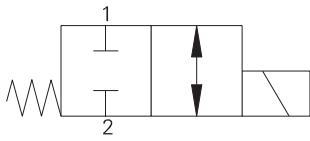


# SV4-10-C/CM/CR - Solenoid valve

Spool type, normally closed solenoid valve  
23 L/min (6 USgpm) • 210 bar (3000 psi)

A



## Operation

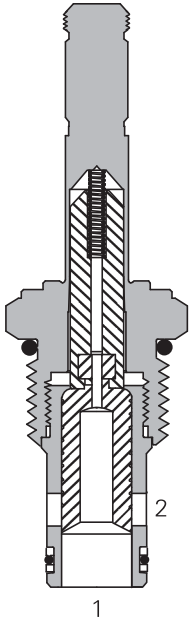
In the de-energized position the valve blocks flow in both directions.

When the solenoid is energized the spool moves allowing the valve to open in both directions.

## Features

Hardened, ground and honed working parts to limit leakage. IP69 Tough coil compatibility. Continuously rated. Compact design with low pressure drop.

## Sectional view



## Performance data

### Ratings and specifications

Performance data is typical with fluid at 21,8 cSt (105 SUS) and 49°C (120°F)

|  |   |
|--|---|
| Typical application pressure (all ports)   | 210 bar (3000 psi)  |
| Cartridge fatigue pressure (infinite life) | 210 bar (3000 psi)  |
| Rated flow                                 | 23 L/min (6 USgpm)  |
| Internal leakage                           | 82 cm <sup>3</sup> /min (5 in <sup>3</sup> /min) max @ 210 bar (3000 psi)     |
| Temperature range                          | -40° to 120°C (-40° to 248°F)   |
| Coil duty                                  | Continuous from 85% to 110% of nominal voltage                                |
| Cavity                                     | C-10-2  |
| Fluids                                     | All general purpose hydraulic fluids such as: MIL-H-5606, SAE 10, SAE 20 etc. |
| Filtration                                 | Cleanliness code 18/16/13   |
| Housing material (standard)                | Aluminum  |
| Weight including coil                      | 0,4 kg (0.087 lbs)  |
| Seal kit                                   | 565806 (Buna-N), 889627 (Viton®)  |

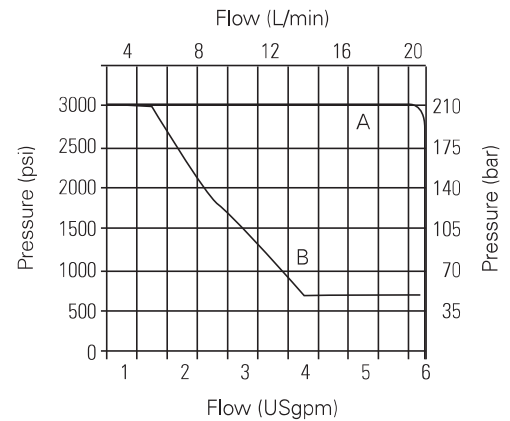
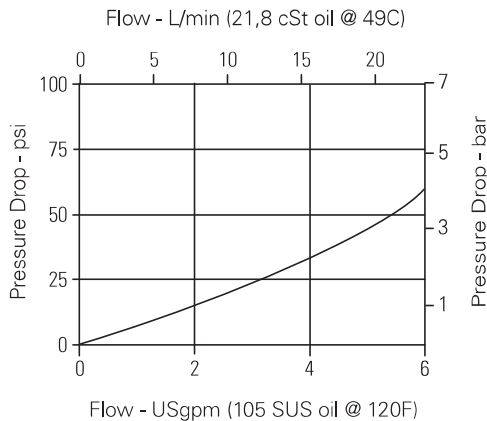
Viton is a registered trademark of E.I. DuPont

## Description

This is a 2-way, 2-position, spool type, direct acting, normally closed solenoid valve. This valve is used in applications where the flow needs to be blocked in both directions when the solenoid is de-energized.

## Pressure drop

Cartridge only



## Pressure drop vs. Flow

Port 1 to port 2 or  
port 2 to port 1 energized

## Operating Limits

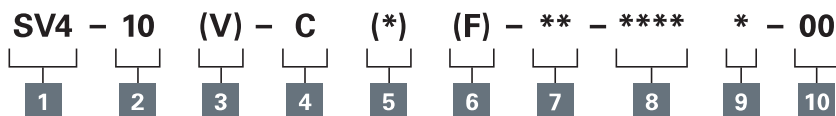
**A** - Port 2 to port 1  
**B** - Port 1 to port 2

Where measurements are critical request certified drawings. We reserve the right to change specifications without notice.

# SV4-10-C/CM/CR - Solenoid valve

Spool type, normally closed solenoid valve  
23 L/min (6 USgpm) • 210 bar (3000 psi)

## Model code



A

### 1 Function

SV4 - Solenoid valve

### 2 Size

10 - 10 size

### 3 Seal material

Blank - Buna-N

V - Viton®

### 4 Style

C - Normally closed

### 5 Manual override option

Blank - No manual override

M - Knob type

R - Cable type

For valve dimensions with manual override option installed see page A-980.

### 6 Filter option

Blank - None

F - Filter screen

### Dimensions

mm (inch)

### Cartridge only

### 7 Port size

| Code | Port size      | Housing number |
|------|----------------|----------------|
| 0    | Cartridge only |                |
| 3B   | 3/8" BSPP      | 02-175464*     |
| 6T   | SAE 6          | 566151*        |
| 2G   | 1/4" BSPP      | 876702         |
| 3G   | 3/8" BSPP      | 876703         |
| 6H   | SAE 6          | 876700         |
| 8H   | SAE 8          | 876701         |

\*Light duty housing.  
See section J for housing details.

### 8 Voltage rating

00 - No coil

12D - 12VDC

24D - 24VDC

36D - 36VDC

24A - 24VAC

115A - 115VAC

230A - 230VAC

12B - 12VDC/w diode\*

24B - 24VDC/w diode\*

\*Optional arc suppression diode.

### 9 Connector types

Blank - No coil

G - ISO 4400 DIN 43650

Q - Spade terminals

W - Flying lead

N - Deutsch (DC only)

Y - Amp JR (DC only)

D - Metripack 150 male (DC only)

J - Metripack 280 male (DC only)

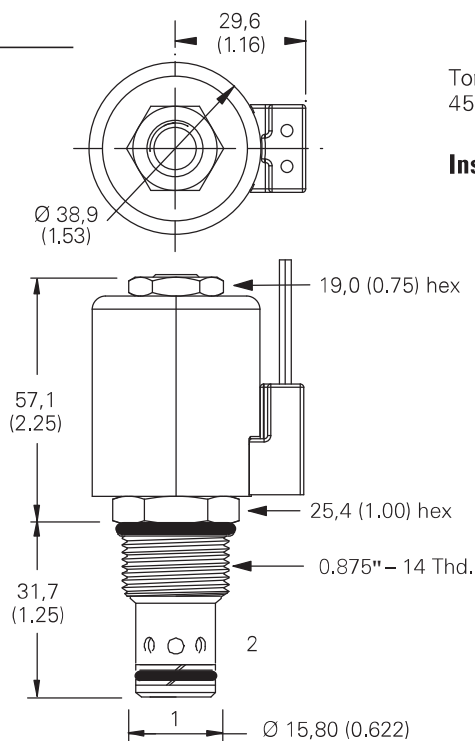
For coil part numbers and dimensions see section C.

### 10 Special features

00 - None

(Only required if valve has special features, omitted if "00".)

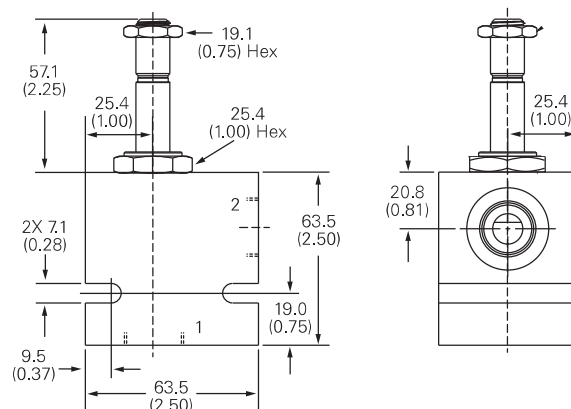
**Note:** Use J series, 23 W coils with this solenoid valve.



Torque cartridge in steel housing  
45-54 Nm (35-40 ft lbs)

**Note:** When solenoid valve is ordered as cartridge only, coil nut is included.

### Installation drawing



### Warning

Maintain 5-8 Nm (4-6 ft lbs) maximum torque on valve tube nut.

Over tightening may cause valve failure.

Where measurements are critical request certified drawings. We reserve the right to change specifications without notice.