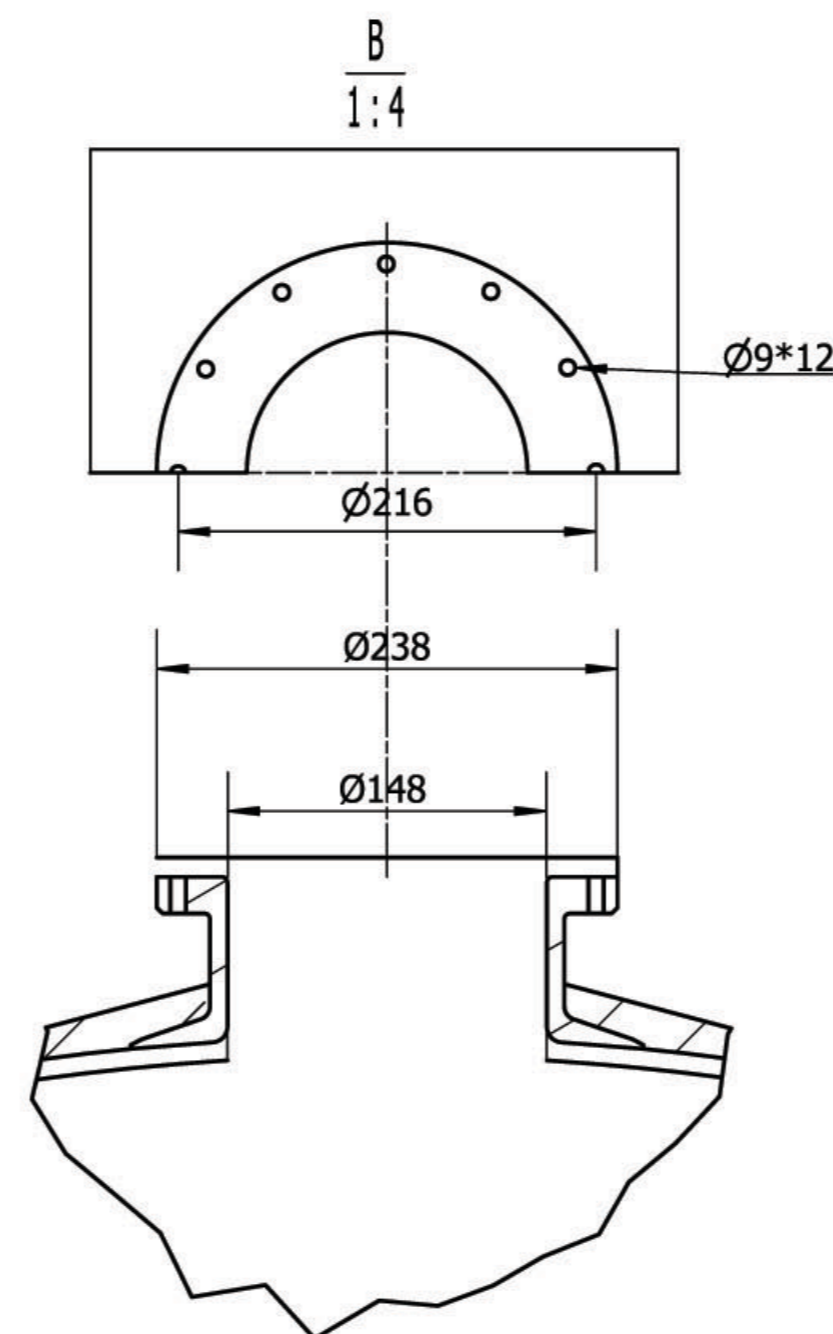
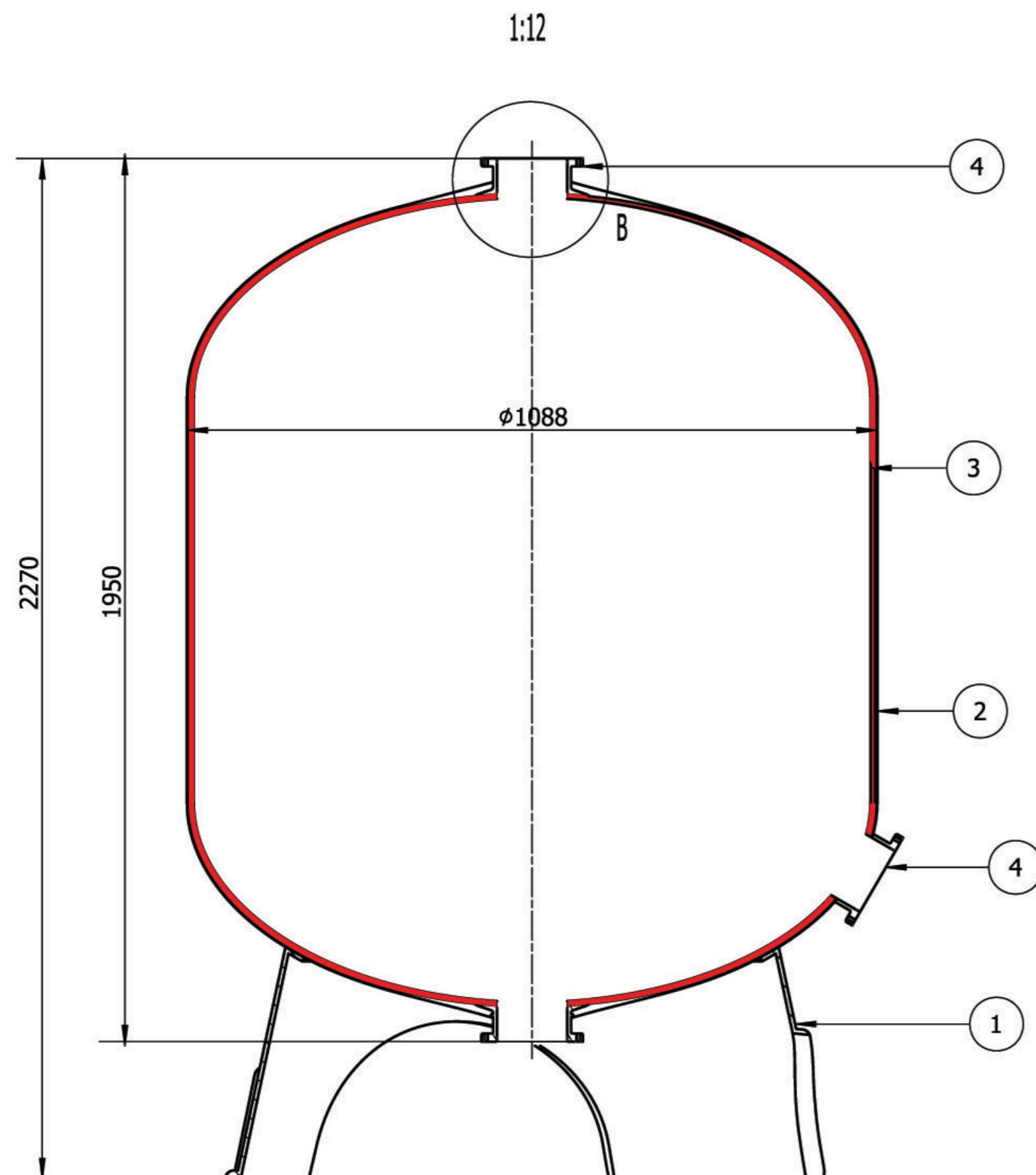


Model	Height	Vol	Weight
H4272-6T6B4D	2270 mm	1389L	



NOTES:

1. Inner shell - Polyethylene (PE) seamless one-piece tank liner
2. Outer shell - Continuous strands of fiber-glass with high strength epoxy resin
3. Bottom base - FRP reinforced tripod base
4. Opening - 4 inch thread opening
5. Tanks meet all applicable specification of NSF/ANSI 044 standard
6. Operating Specifications:
Maximum Working Pressure : 150 PSI (1.0MPa)
Temperature :1-49 C (34-120 F)
Maximum Vacuum:127mm Hg(5"Hg)
7. Liner inspection
No more than 20 internal 、 external blemishes、 burnt debris
No internal 、 external blemishes、 burnt debris larger than 5 *5 mm
8. Surface finish
9. Surface to be free of resin, glass,nicks,barbed filament
10. Tank to be bonded to base
11. The base to be level correction
12. Top and bottom opening to be parallel,top opening to be parallel with the base

4	Thread	2	LLDPE	
3	Liner	1	PE	
2	Outer sheel	1	FRP	
1	Base	1	FRP	
Project	Name	Number	Material	Remark

明细栏

						Canature HuaYu Environment Products Co.,Ltd		
标记	处数	分区	更改文件号	签名	日期			
设计	陈振华	2014/2/25	标准化			阶段标记	重量(Kg)	比例
审核						H4272-6T6B4D		
工艺			批准			本图尺寸均以mm计，图中尺寸请勿量取。		